

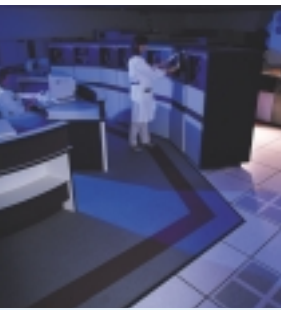
# SPD-2500

24-hour All-Round Surveillance  
PTZ (25X) High Speed Color Dome Camera



# Broaden your surveillance with the Samsung SPD-2500.

## See how one speed dome camera can outperform the competition.



Samsung Techwin's new one speed dome camera, the SPD-2500, is a color dome camera with 680,000 pixels and built-in pan, tilt, and zoom functions. With its ICR (Infrared Rays Cutoff Filter Removable) function, the SPD-2500 automatically converts images from color to black & white in low light situations. It also includes a 300X zoom (25X optical zoom with a 12X digital zoom), mirror, freeze, backlight compensation, and an OSD (On Screen Display).

The SPD-2500 includes a number of auto-surveillance functions:

- Manual PTZ (Pan, Tilt, and Zoom)
- Programmable automatic swing function that repeats pan or tilt functions between two preset positions
- Group sequence of preset positions
- Tour of preset group sequences
- Spiral surveillance mode that monitors activity all around, etc.

The SPD-2500 can be set to handle up to 64 preset positions. Any one position can be called up at any time. The built-in image stabilizer compensates for vibrations and fluctuations caused by the camera's movements.

### DIP Switch 2-Pin

Used for terminal installation.

### Rotary Switch 2 (R-SW2)

Switch for setting the camera ID address.

### Rotary Switch 1 (R-SW1)

Switch for setting the camera's ID address.

### Male Connector

Connects the connector from the ceiling suspension bracket or the camera ceiling recessed mounting bracket.

### Power Switch

Turns the power on/off. (The factory default is OFF.)

### DIP Switch 4-Pin

Used for each function setting.



## 300X Zoom & Variable Speed Pan & Tilt

An optic angle 25X zoom lens combines with both an auto focus system and a digital zoom to give you clear and precise pictures at up to 300X. Users can catch the smallest image and enlarge it to identify the most minute detail. Close-up images are available by just clicking a key on the keyboard. The joystick on the keyboard can also adjust the pan & tilt speed.



## Slow shutter & ICR Function for a crisp image

Light conditions are no longer a problem for the SPD-2500. It can provide optimal surveillance performance in low light situations with both its slow-shutter and auto-IR cut filter elimination functions. The slow-shutter function improves the CCD sensitivity by electrically lengthening exposure time. The ICR function automatically controls the same operation by using the color picture plus an infrared cut filter during the day or a black-and-white picture plus filter elimination at night. In daylight, it functions as a color camera sensitive to 3 lux, and at night, it automatically converts the image to a monochrome picture with a 0.01 lux with slow shutter control.



## OSD (On Screen Display) function

Provides character information displayed on the monitor, such as the camera ID address, camera name, preset number, preset name, area name, and sequence status, and sets various functions of the camera easily on the OSD menu screen.

```

Main Menu
[+] Camera Setting
[ ] Sequence Setting
[ ] P/T Setting
[ ] OSO Setting
[ ] Preset Name
[ ] Camera Name
[ ] Initialize
[ ] Status
    
```

## Image Stabilizer function

This function compensates for any changes of position as a result of vibration of the speed dome camera. About 90% of compensation is effected by some 10Hz of oscillation frequency.



## 64 Preset Positions Setting and Various auto-surveillance functions

SPD-2500 delivers surveillance coverage of a wide area by pre-setting to a maximum of 64 positions; this enables the user to preset the area to be monitored at any time. Users need only select the important sectors to be surveyed carefully.

Users can control the speed and dwelling time of pan swing and tilt swing, and the preset positions can be set by group sequence and tour sequence.

### PTZ Trace

- Allows manual operation for about 60 seconds.

### Auto Swing

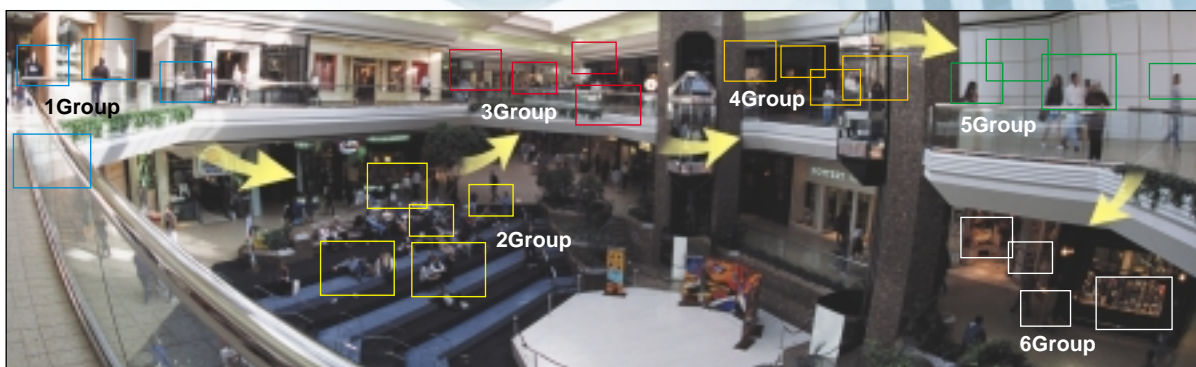
- Repeats pan and tilt between two preset positions.

### Group Sequence

- Switches and checks a maximum of 64 preset positions in sequence.

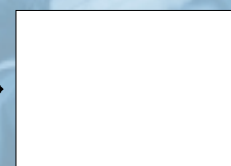
### Tour sequence

- Switches and checks a maximum of 6 group sequences in sequential order.



## Area Masking

The Area Masking function makes the area that is not necessary to be monitored white. Users can mask selected areas so that it will not appear on the monitor.



## Backlight Compensation

The BLC (Backlight Compensation) Function allows the camera to find the best picture conditions in any environment and automatically provides the necessary light compensation. Users can now always obtain a clear, detailed and perfectly contrasted picture. The BLC function is used when there is a wide difference between the brightness of the central part of the screen and the background due to a backlight source.

## Smart P/T

This function changes the pan and tilt speed automatically according to the zoom magnification to create a perfect image without any distortion. The pan/tilt speed slows down (60 seconds per revolution) in tele-mode and speeds up (3 seconds per revolution) in wide mode.

## Home position and auto return

The Home position function enables a return to a designated position if there is no operation within a fixed time frame.

## ► Dome Camera Controller

# SCC-1600

(High Performance Controller)

### Main Features

- ▶ Max. configuration : 16 Cameras, 2 monitors
- ▶ Preset positions : Maximum 64 locations
- ▶ Camera Speed selection : Proportional to angle of joystick
- ▶ Pan/Tilt swing control
- ▶ Auto Sequence : Sequential Surveillance at preset intervals  
(With pauses from 1~99 seconds :  
speed change in up to 64 steps)
- ▶ Control of Group Sequence, Tour Sequence
- ▶ Freeze function, PTZ Trace function, Spiral function
- ▶ Capable of registering up to six Groups
- ▶ Auto Swing : Can be preset to swing between two points
- ▶ Auto Switcher : Shows images from 16 cameras by  
switching between 2 monitor
- ▶ Alarm Input : 6 channels
- ▶ Alarm Output : 1 channel
- ▶ Easy camera set-up via OSD



> SCC-1600



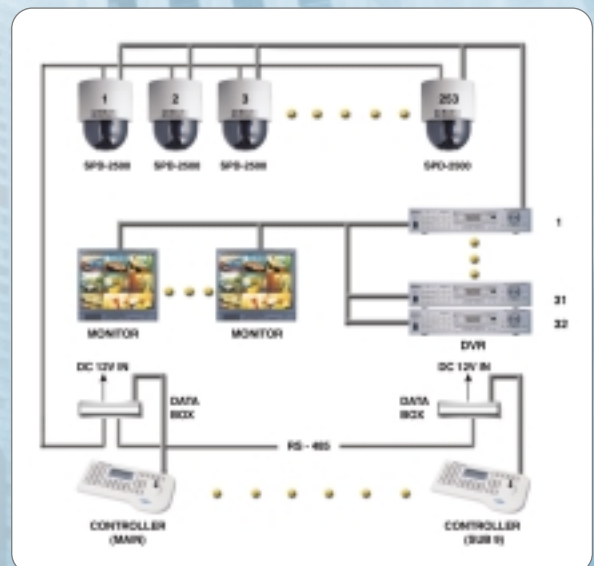
> SCC-16

# SCC-16

(Simple, Compact and User-friendly Control of a Maximum of 253 Cameras)

### Main Features

- ▶ Preset positions : Maximum 64 locations
- ▶ Camera Speed selection : Proportional to angle of joystick
- ▶ Pan/Tilt swing control
- ▶ Auto Sequence : Sequential Surveillance at preset intervals  
(With pauses from 1-99 seconds :  
speed changes of up to 64 steps)
- ▶ Control of : Group Sequence, Tour Sequence, Freeze function
- ▶ PTZ Trace function and Spiral function
- ▶ Capable of registering up to six groups
- ▶ Auto Swing : Can be preset to swing between two points
- ▶ Easy camera set-up via OSD



### Specification

Model	SCC-1600	SCC-16
Power Supply	DC12V, 500mA	DC 9V, 500mA
Video Input/Output	Input : CVBS 1.0Vp-p, 75, BNC:16 Output : CVBS 1.0Vp-p, 75, BNC:2	
Camera Control Interface	RS-485, Serial Interface	RS-485, RS-422
Alarm Interface Input/Output	16 NO, NC Switchable 1 relay (NO, NC, COM, GND)	
Joy Stick	Pan/Tilt, Zoom, One Push Auto Focus	Pan/Tilt
Manual Operation	Camera Selection : 1~16 Monitor Selection : 1~2 Zoom Switch : Wide & Tele Focus Switch : Near & Far	Camera Selection : 1~253 Monitor Selection : 1 Zoom Switch : Wide & Tele Focus Switch : Near & Far
Auto Surveillance Functions Sequence	Swing : Surveillance between 2 positions Surveillance of preset positions in turn Tour : Surveillance of groups in turn Switcher : Video switcher	Swing : Surveillance between 2 positions Surveillance of preset positions in turn Tour : Surveillance of groups in turn
OSD	Available	
Dimension(WxHxD)	400x170x51	337.5x180x31.6
Weight	Approx. 2.1Kg	Approx. 1.2Kg

# Main Features

- ▶ 1/6" Pan / Tilt / Zoom Color Dome Camera
- ▶ 300X Zoom ( 25X optical with 12X digital )
- ▶ Low speed shutter function of 1/4 ~ 1/30 fields integration (4 steps)
- ▶ 360° Panning & 90° tilting
- ▶ Continuous auto focus, 64 Preset Positions
- ▶ Manual Digital Flip
- ▶ ICR ( Infrared Rays Cutfilter Removable )
- ▶ Powerful Auto Focus
- ▶ Back Light Compensation
- ▶ Stabilizer
- ▶ PTZ Trace, Tour, Group
- ▶ Home position, auto-return
- ▶ Pan/Tilt speed variable
- ▶ Area Masking
- ▶ Built-in OSD functions
- ▶ Minimum Illumination 0.2 Lux ( Color mode with slow shutter )  
0.01 Lux ( B/W mode with slow shutter )
- ▶ Powerful Zoom Speed ( Tele ~ Wide ) : 2.2 sec
- ▶ RS-485 Interface

## Accessory

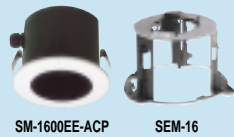
### Outdoor Housing



### Bracket for SPH-20P



### Embedded Mount



### Attachment



### Adapter



# Specification

Model	SPD-2500N	SPD-2500P
Pick-up Device	1/6" Color CCD	
Total Pixels	680,000 pixels 677(V)X998(H)	800,000 pixels 797(V)X998(H)
Scanning Frequency	15.734KHz(H), 59.94KHz(V)	15.625KHz(H), 50KHz(V)
Synchronization	Internal / External	
ICR (Day & Night)	Built-in	
ICR: IR Cut Removable	Built-in	
S/N Ratio	more than 48dB(AGC OFF)	
Horizontal Resolution	470 TV lines	460 TV lines
Flickerless Control	Shutter speed fixed(1/100)	Shutter speed fixed(1/120)
White Balance	Auto / Manual	
BLC Function	Built-in	
OSD	Built-in	
Aperture (0~15step)	Built-in	
Default : 8step	Built-in	
Stabilizer	Built-in	
Electronic Shutter	1/60~1/10,000 16steps	1/50~1/10,000 16steps
Slow Shutter	Auto / Manual (1/30 ~ 1/4)	Auto / Manual (1/30 ~ 1/4)
Minimum Illumination	0.01 Lux ( at Slow Shutter & BW ) 0.2 Lux ( at Slow Shutter ) 3 Lux ( Normal )	
Optical Zoom	f2.4mm~f60mm ( 25X )	
Digital Zoom	12X ( Total 300X Zoom )	
Max. Focus Ratio	Wide 1:1.6 Tele 1:2.7	
Min. Focus Distance	35mm(WIDE), 800mm(TELE)	
Max. Zoom Speed (Wide ↔ Tele)	≈ 2.2 Sec	
Pan Rotation Angle	360°	
Pan Rotation	Manual/Program	
Pan Speed	Manual:0.8°/S~120°/(64 levels) Preset:0.8°/S~240°/(64 levels)	
Tilt Rotation Angle	0° ~ 90°	
Tilt Rotation	Manual/Program	
Tilt Speed	Manual:0.8°/S~120°/(64 levels) Preset:0.8°/S~240°/(64 levels)	
Tilt Resolution	0.04°	
Tilt Rotation Stop Accuracy	0.10°	
Preset	64 presets ( TRACKING )	
Power Source	DC 12V±10%	
Power Consumption	6 ~ 12VA	
Operating Temperature	0° C ~ 50° C	
Dimension	ø160X210mm ( Dome ø132 )	
Weight	approx. 2.1Kg	

www.samsungcctv.com  
www.webthru.net

SAMSUNG TECHWIN CO., LTD  
145-3 Sangdaewon 1-Dong, Jungwon-Gu,  
Sungnam, Kyungki-Do, Korea 462-121  
TEL:82-31-740-8137~8141 FAX:82-31-740-8145

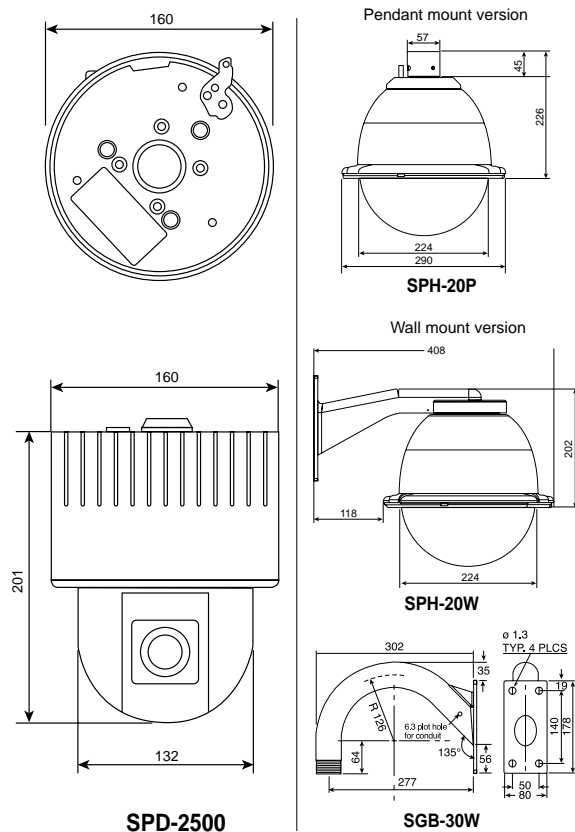
SAMSUNG TECHWIN MOSCOW OFFICE  
LENNINGRADSKY PR-KT, 37-A. KORP.14  
RUSSIA, 125167, MOSCOW  
TEL:7-095-258-9296,9298 FAX:7-095-258-9297

SAMSUNG OPTO-ELECTRONICS AMERICA, INC.  
ELECTRONIC IMAGING DIV.  
40 Seaview Drive, Secaucus N.J. 07094, U.S.A  
TEL:201-902-0347 FAX:201-902-9342

駐中國業務代表處(深圳)  
中國深圳市福田區華強北路  
華聯發大廈5樓531室  
電話:(0755)3200110 3251953 3228969  
傳真:(0755)3249441 3252430

# Dimension

unit : mm



Design and specifications are subject to change without notice.

### ■ DISTRIBUTED BY

