

Internet-Based
SWC-160

Speed Dome Web Camera

SAMSUNG

Web Camera
SWC-160



NETWORK SERVER

+

COMPUTER

+

PAN/TILT/ZOOM

+

DIGITAL CAMERA



www.webthru.net

www.samsungcctv.com



Introduction

- Samsung's innovative SWC-160 network web camera is the convenient solution for an Internet or private network camera. With its direct Ethernet connection it can instantly be connected to the web or an in-house Intranet and be up and running in just minutes.
- This allows the end user instant access twenty-four hours, seven days a week from anywhere in the world!

Features

Ease of Use

Samsung Webthru cameras do not need the use of a PC frame card nor additional servers.

The only software requirement is an Internet browser. Since it has a complete plug and play functionality, the only step one has to take is to assign a valid IP address.

Multiple Users

Because Webthru is running a high performance CPU (32bit RISC), using embedded Linux, it allows for more than 100 users to be connected simultaneously.

Wavelet Image Format

Wavelet has 30%~300% higher image compression rates than the standard JPEG.

Wavelet technology allows the integrity of user pictures to be viewed with clarity and high speed (123fps. with 3KB per frame).

External Device Connection

Users can connect to a variety of external devices; sensors, switches, alarm relays, recording or monitoring devices. When programming alarm panels the installer can quickly develop various security applications that are triggered by time or alarm event.

Auto-focus 16x Zoom Lens

The SWC-160 has the capability of zooming to a maximum 128 (optical/digital) of actual size.

Familiar Icons

The users can easily control the built-in Pan/Tilt Zoom functions on a sample icon using the Internet browser.

Simple Administration

The system administrator can define up to five levels of access codes to each user based on their ID. With this ID the users can manage the Webthru cameras directly from its own web page. This allows for simple remote upgrades over their network.

User's Programmable Space

The Webthru cameras allow the user 6MB to 8MB flash memory. This allows the user the ability to create their own homepage. Their own company look when viewing the Webthru menu.

64 Preset and Home Position Auto-return

The SWC-160 allows 64 presets and all the features with a high speed Pan/Tilt/Zoom. You can review any camera at any time and then return to the preset position.

Quick 360° Continuous Rotation

The SWC-160's continuous 360 rotation for full pan function enables the user quick pinpoint viewing!

SAMSUNG

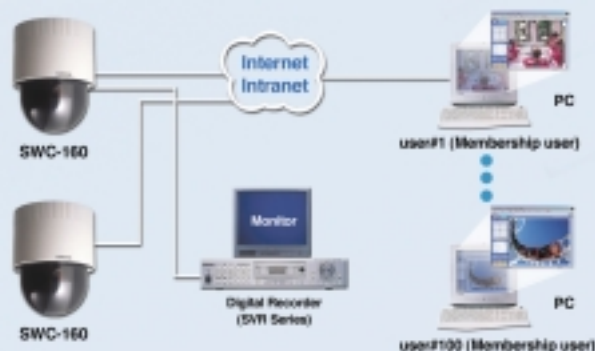
Web Camera
SWC-160





Typical Connection

Pan/Tilt/Zoom control



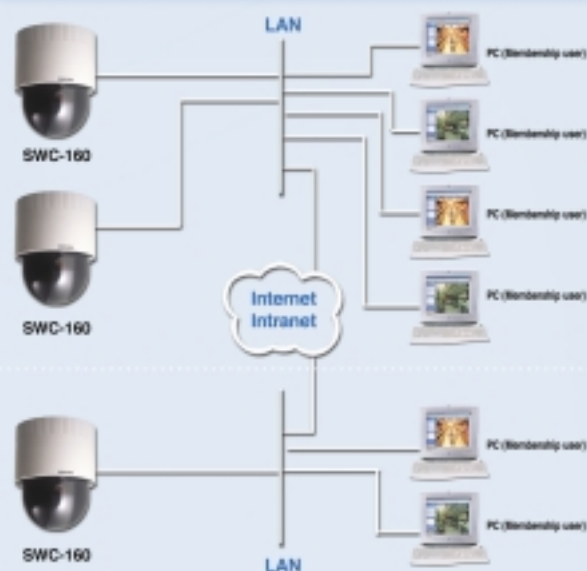
Alarm system



Local Area Network



Intranet (Remote Intranet System)



Speed Dome Web Camera SWC-160

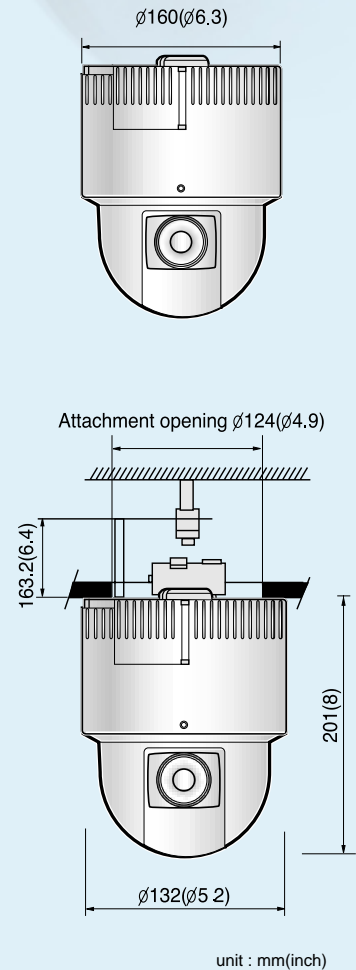
Specification Sheet

Model		SWC-160
Viewer		MS Internet Explorer Ver 4.0 or later Nescape Ver 4.5 or later
Hardware	CPU	32Bit RISC Embedded Processor
	OS	Embedded Lynux
	Flash Memory	8Mb
	RAM	16Mb
	User-Configurable	6Mb
Video	Internal Input	1ch
Channel	Output	1ch
Network	Protocol	TCP/IP, HTTP, ARP, RARP, ICMP, DHCP, FTP, SMTP
	Line	10 base-T LAN(RJ-45)
Image	Size	720x486, 720x243, 360x243, 180x121, 90x60
	Compression	Wavelet
Transfer	Rate	10:1~200:1(Typical 30:1)
	Frame Rate	Max. 30 frame/sec
Security		Password Protection
		IP Address Filtering
		Image Encryption
Alarm & I/O		Motion Detection
		Automatic E-mail and File Sending
		2 Alarm Input
MISC Function		High Quality Image Area Setting
		Periodical Image Sending through E-mail and FTP
		Gray/Progressive/Single-shot Mode for Modem Users
		User Customized Homepage Publishing Supported by FTP : 6Mb
Dimension	Size	H(201mm) x W(160mm), Dome: ϕ 132mm
	Weight	2.1Kg

Video and Pan/Tilt

Camera	Device	1/4" CCD 410,000 pixels
	Resolution	480 TV Lines
	Lens mount	16X Optical Zoom Lens
	Sensitivity	0.5 Lux
	Iris	Auto
	Backlight	WDR, Super BLC, BLC
	Flickerless	FL on/off
Lens	Mount type	16X Optical Zoom, 8X Digital Zoom
	Aperture	F1.4 - 2.7
	Focal length	f3.9mm ~ 62.4mm
	Focus	Auto/Manual
Pan/Tilt	Angle	Pan : 360°(Endless), Tilt: 0° ~ 90°
	Speed	Pan : Manual Max.120°/sec
		Preset Max.240°/sec
		Tilt : Manual Max.120°/sec
	Preset Max.180°/sec	
	Preset	Max. 64 points
	Preset group	Max. 6 groups
Control	by Internet	

Dimension



www.webthru.net
www.samsungcctv.com

Design and specifications are subject to change without notice.

SAMSUNG

TECHWIN

SAMSUNG TECHWIN CO., LTD

145-3 Sangdaewon 1-Dong, Jungwon-Gu,
Sungnam, Kyungki-Do, Korea 462-121
TEL:82-31-740-8137~8141 FAX:82-31-740-8145

SAMSUNG OPTO-ELECTRONICS AMERICA, INC.
ELECTRONIC IMAGING DIV.

40 Seaview Drive, Secaucus N.J. 07094, U.S.A
TEL:201-902-0347 FAX:201-902-9342

SAMSUNG TECHWIN CO., LTD

SAO PAULO OFFICE

Rua Professor Manoelito de Ornellas 303 2 - andar
Chacara Santo Antonio CEP:04719-040
SAO PAULO SP Brasil

TEL:55-11-3731-8270 FAX:55-11-3735-7616

■ DISTRIBUTED BY

